



DaVinci Heat Exchanger Touch-Screen Version

Compatibility Notes

This kit must be installed in conjunction with a DaVinci pre-configured for heat-exchanger use.

NOTE: **Does not work for island or bay configurations or any unit with 58' tall glass.**

Packing List

- Blower Assembly with Strain Relief
- Blower Grill
- Heat Exchanger Lead (2 wire molex)
- (4) Hose Clamps and (4) Lock-Ties
- Register Boot (4" Dia. to 2.25" x 10") (102mm Dia. to 58mm x 254mm)
- Output Register (2.25" x 10") (58mm x 254mm)
- 25' (7.5M) 4" (102mm) Diameter Insulated Duct (U.L. 181)

Category 2 Heat Exchanger Location

- For category 2 fireplaces, the heat exchanger is always located on the primary module (near the exhaust).

Heat Exchanger Length (Inside Fireplace)

- Category 1:
 - 3 Burner** = 3' Heat Exchanger (1M)
 - 4 Burner** = 4' Heat Exchanger (1.25M)
 - 5 Burner** = 5' Heat Exchanger (1.5M)
- Category 2:
 - 6 Burner** = 5' Heat Exchanger (1.5M)
 - 7 Burner*** = 4' Heat Exchanger (1.25M) (4 burner + 3 burner modules)

* For 7 burner units that are shipped pre-assembled, the heat exchanger will need to be installed. Follow the instructions on the last page of this document for installation instructions.

8 Burner = 4' Heat Exchanger (1.25M) (two (2) 4 burner modules)
9 Burner = 5' Heat Exchanger (1.5M) (5 burner + 4 burner modules)
10 Burner = 5' Heat Exchanger (1.5M) (two (2) 5 burner modules)

Additional Options

- Remote Intake Grill, SKU # 94400131 (allows for intake box to be concealed & air to be drawn from a register)

Installation Warnings

Warning: This kit must be installed as specified in these instructions. Do not modify any component.

Warning: Use of any external blower other than the Travis Power Heat Duct Blower will void the warranty and listing of this appliance and may create a fire hazard.

Warning: Disconnect power to the fireplace (turn the service breaker off) before conducting the installation. Enable power to the fireplace only after the installation is verified.

Note: This kit **must** be installed by a qualified service technician.

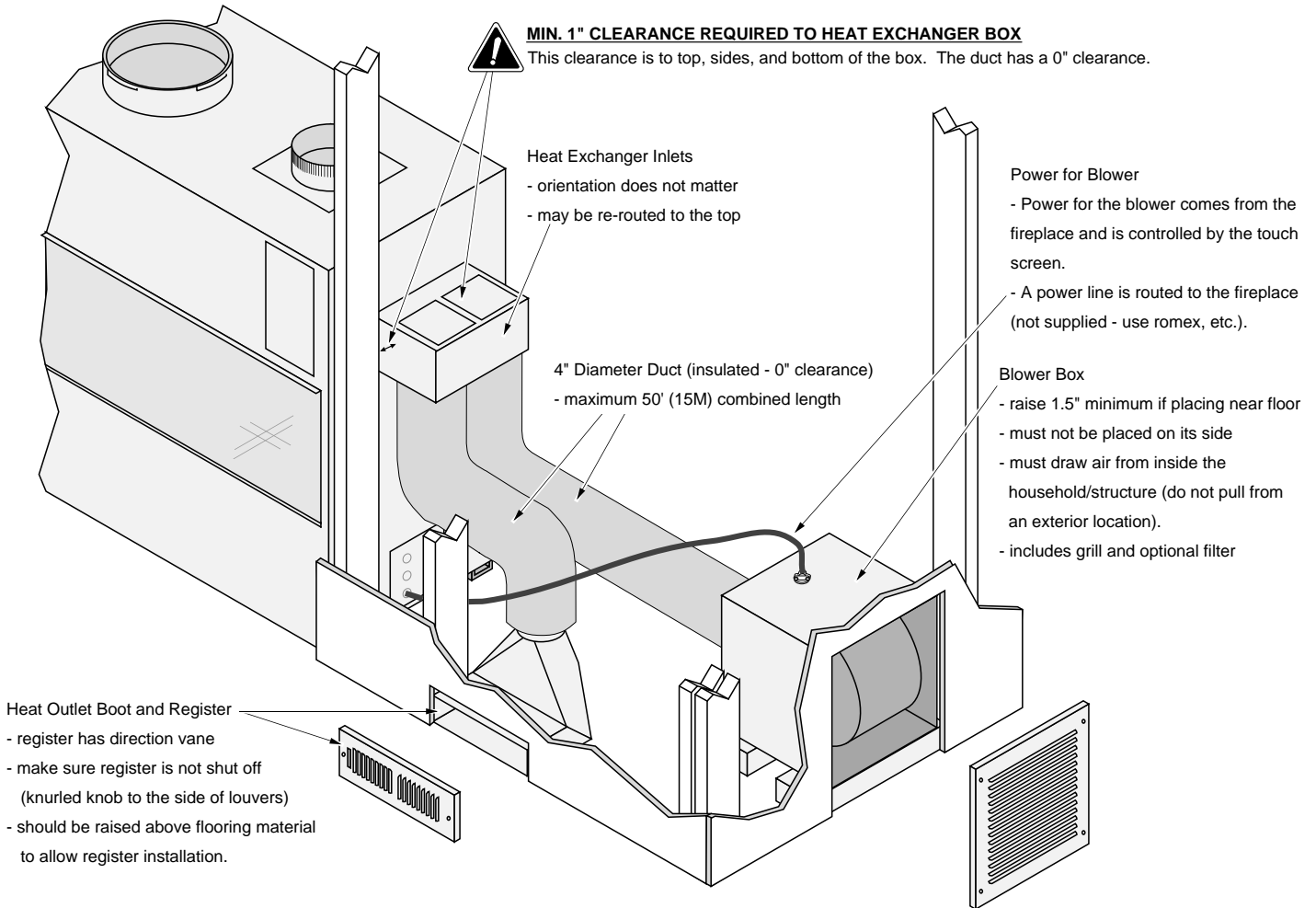
Note: Some building codes may require the use of firestop spacers whenever the duct passes from room to room.



DaVinci Heat Exchanger Touch-Screen Version

Installation Overview

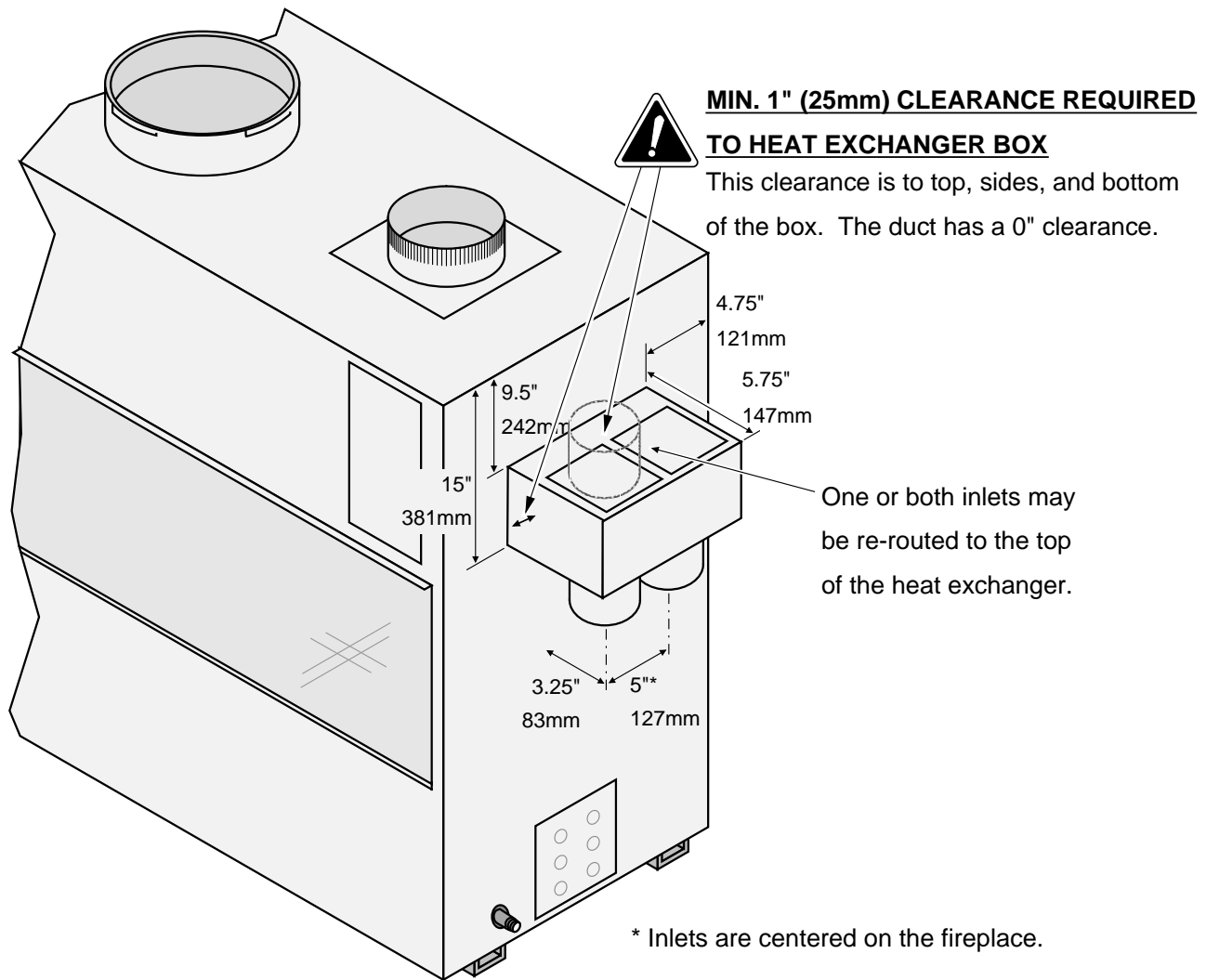
The overview below details installation concerns for the type of heater being used. Install the heat duct prior to installing drywall. The homeowner must turn the blower on and off manually. The blower will remain on until the fireplace is turned off.





DaVinci Heat Exchanger Touch-Screen Version

Fireplace Heat Exchanger Location



Clearances

- Minimum 1" (25mm) clearance required to the heat exchanger box. This clearance is to the top, sides, and bottom of the box (see illustration above).
- The duct (and its connection to the heat exchanger box) has a 0" clearance.

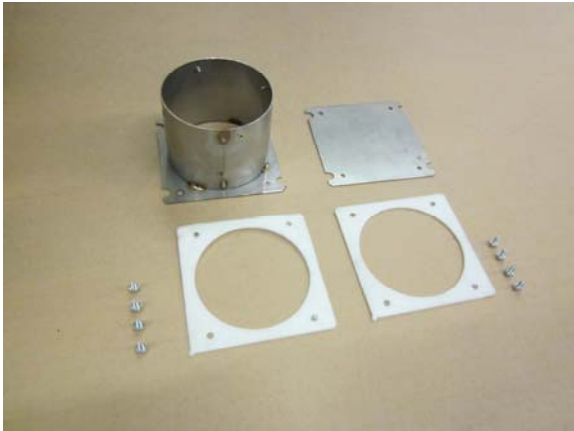


DaVinci Heat Exchanger Touch-Screen Version

Re-Routing the Heat Exchanger Inlet(s) Upwards

- The inlets are shipped in the downward position. One or both inlets may be re-routed upwards.
- Remove the 4 screws holding the cover plate and gasket in place.
- Remove the corresponding inlet and gasket and re-connect with the 4 screws in the desired position.
- Re-connect the cover plate and gasket with the 4 screws in the desired position.

NOTE: Cover plate and inlet are positioned with the notches to the side (they will not install if rotated 90°).





DaVinci Heat Exchanger Touch-Screen Version

Duct Installation

Maximum Duct Length

- Maximum duct length is 50' (15M) (inlet and outlet combined length).

Duct Routing

- Duct has a 0" clearance to combustibles.
- Do not route duct next to any surfaces that reach 170° F. (76° C.) or greater (must maintain a minimum 1" (25mm) clearance to the fireplace B-Vent exhaust).
- Do not route duct in external areas or areas subject to severe cold or heat.
- Duct inlet and outlet must be placed within the household/structure. Do not pull air from outside the household/structure.
- Included duct is listed to U.L. 181. If using alternative duct, make sure it complies with U.L. 181.



DaVinci Heat Exchanger Touch-Screen Version

Duct Installation

- Attach insulated duct to the connections using the included hose clamps for the inner liner and lock-ties for the outer layer.
- The flexible duct must be supported every 24" (610mm) to 36" (915mm) on horizontal sections. Use framing/plywood or plumbing straps to support the duct. Take care to prevent damage to the duct.

WARNING: Do not over-tighten the hose clamps and/or lock-ties. When securing the inner layer, take care to prevent tearing of the material.

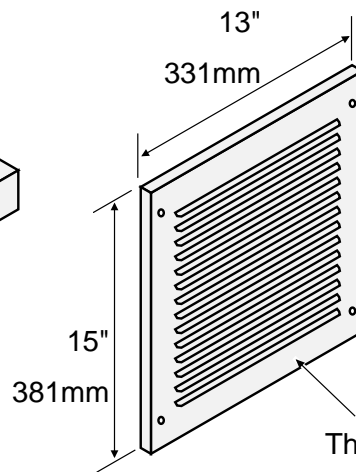
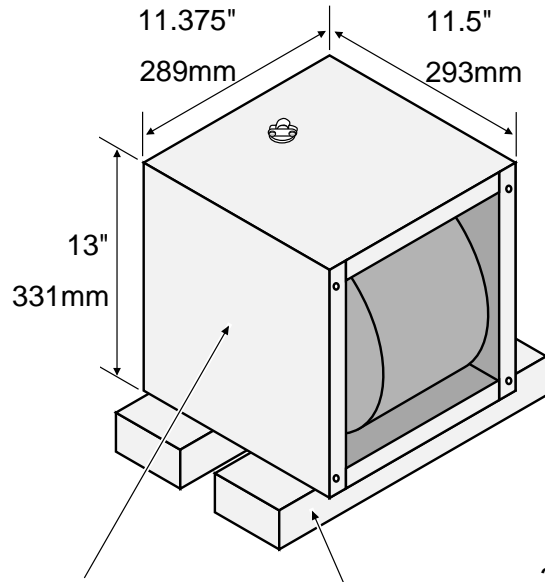




DaVinci Heat Exchanger Touch-Screen Version

Blower Box Placement

- The blower box has a removable grill that allows access to the blower. The blower box must be placed so it may be accessed at a later time.
- The blower box may be placed upright (power inlet on the top) or with the grill facing upwards or downwards. **Do not place the blower box on its side** (power inlet on the side with the grill on its side).



The intake grill is primed and ready to paint.

NOTE: Do not place the blower on its side (this places the blower axle vertically, leading to premature blower failure).

NOTE: If placing the blower near the floor, make sure to raise it a min. 1.5" (39mm) to allow the grill to install (it extends 1.5" 39mm below the base of the blower).

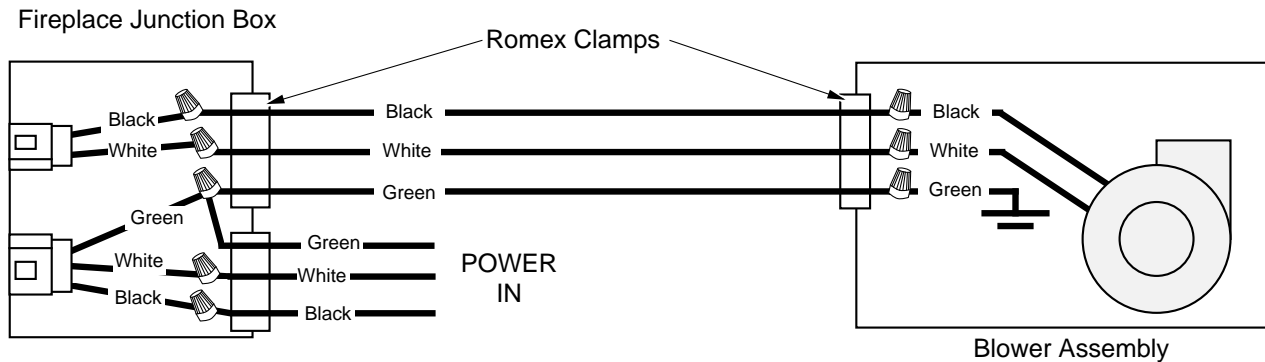


DaVinci Heat Exchanger Touch-Screen Version

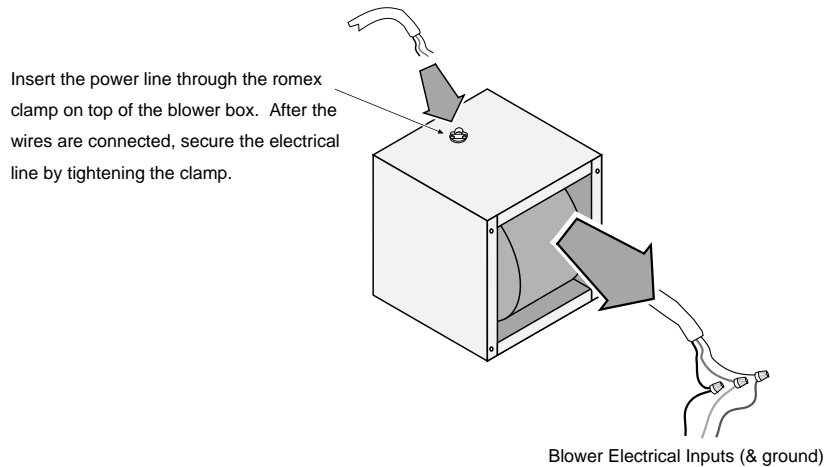
Wiring Instructions

WARNING: All wiring should be done by a qualified electrician and shall be in compliance with local codes and with the current National Electric Code ANSI/NFPA 70 (in the U.S.), or with the current CSC22.1 Canadian Electric Code (in Canada).

Wiring Diagram



Blower Box Wiring

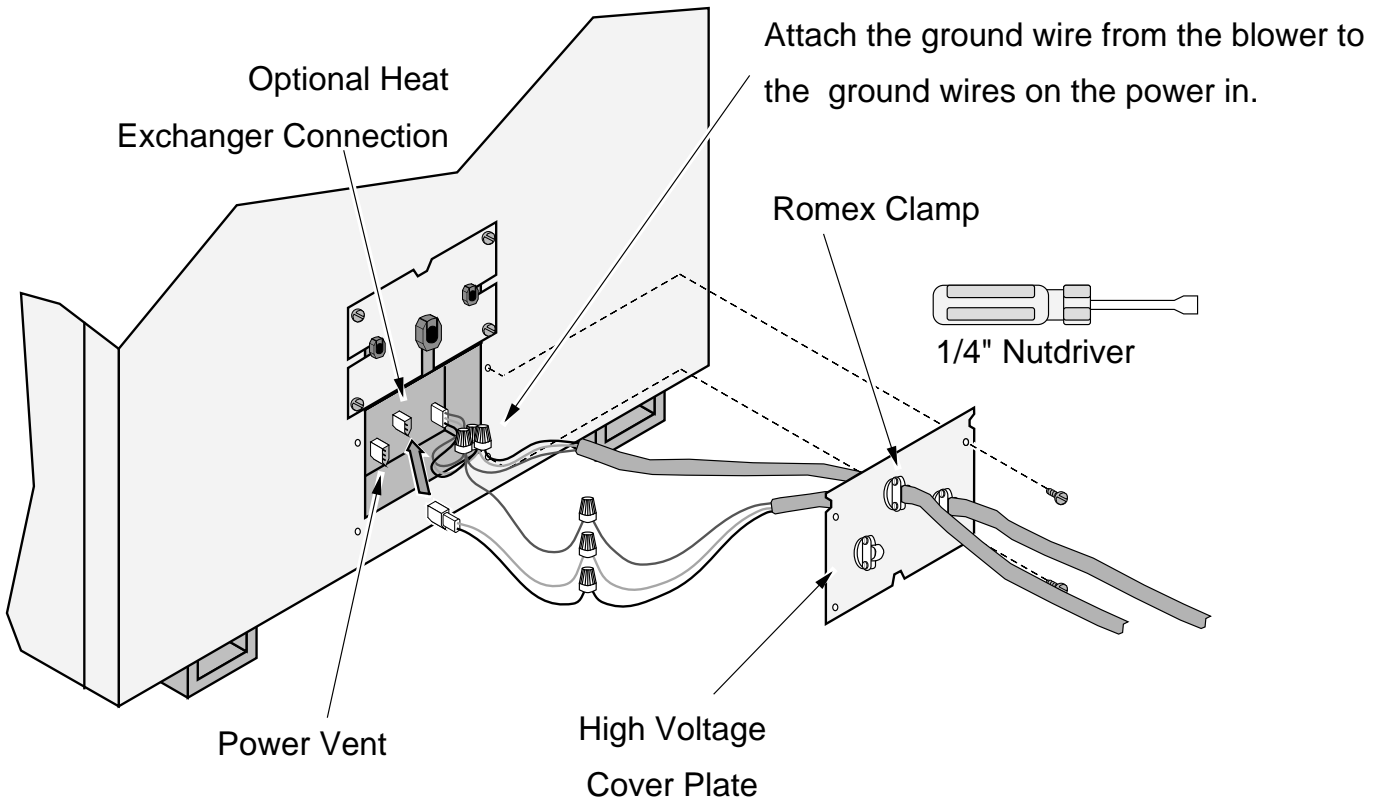




DaVinci Heat Exchanger Touch-Screen Version

Wiring on the Fireplace Junction Box

- See manual for details on accessing the junction box.
- Route the power from the heat exchanger blower to the connector on the fireplace as shown below.
NOTE: The ground wire from the blower should be connected to the ground wire from the power in.



Operating Instructions

- Allow the fireplace to reach normal operating temperature. Then use the wall-mounted rheostat to operate the blower speed. Turn the blower off when the fireplace is not in operation.

Maintenance Instructions

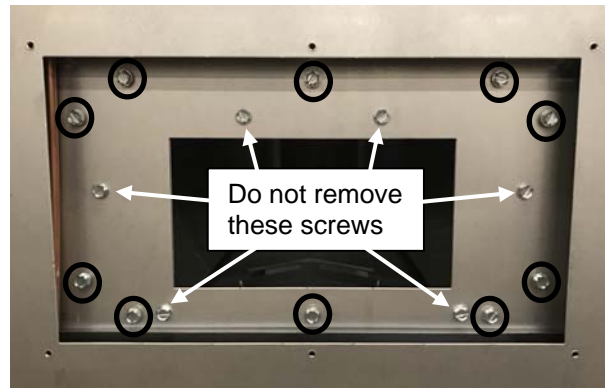
- Once a year the grill should be removed and the blower area cleaned. Use a vacuum to clean around the squirrel-cage blower, being careful not to damage any of the blades.



DaVinci Heat Exchanger Touch-Screen Version

Heat Exchanger Installation on 7 Burner Units

- For 7 burner units that are shipped pre-assembled, the heat exchanger will need to be installed. Follow the instructions below for installation.
- Use a 5/16" nut driver to remove the (10) screws indicated below (set aside for reinstallation). Only remove the screws indicated with the black circles.



- Slide the heat exchanger into place



- Push the gasketed surface of the heat exchanger up tight to the body of the fireplace and secure using the (10) screws removed in step 1.

